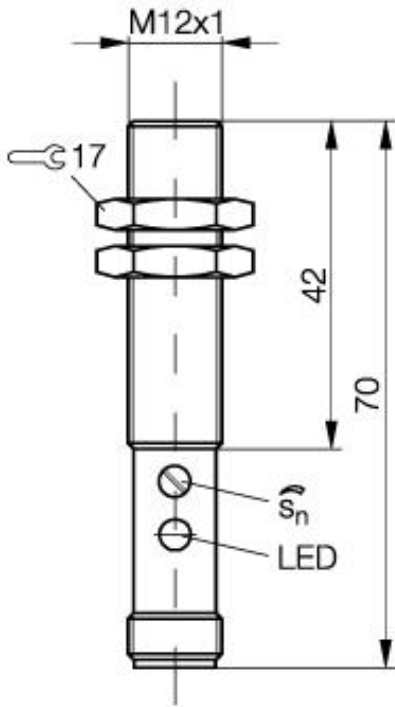


Photoelectric Sensor
BOS 12M-PO-1QA-S 4-C
Sn=1500mm
Retroreflective



PX1288

Common Data

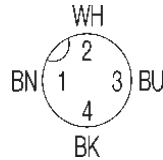
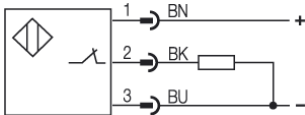
| | |
|-------------------------------------|-------------------|
| Series | 12M |
| Sensortype | Retroreflective |
| Switching frequency | 200 Hz |
| Rated operating distance Sn in mm | 1500 |
| assured operating distance Sa | 80% from Sn |
| Repeat accuracy | < 5% from Sn |
| Hysteresis | < 10% |
| Indication Switching element on | yes, yellow LED |
| Ambient temperature | -15...+55°C |
| On-delay | < 2,5ms |
| Off-delay | < 5ms |
| Light | Infrared |
| Wavelength / Laser protection class | Polarizing filter |
| Sensitivity Adjustment | Poti |
| Blind zone / min Reflector distance | 1mm |
| Permissible ambient light | 5000 Lux |
| Output function | light-on |

Mechanical Data

| | |
|--------------------------|---------------------------------|
| Measurements | M12x70 |
| Shock | Halfsinus, 30gn, 11ms |
| Vibration | 10...55Hz, 1,5mm Amplitude 3x2h |
| Housing material | nickel plated brass |
| Material of sensing face | PMMA |
| Degree of protection | IP67 |
| Connection | Connector S4 (M12) |
| Weigth | 30g |
| Recommended connector | BKS-S20-5 |

Electrical Data

| | |
|-------------------------------------|-----------------|
| Current | DC |
| Switching function | normally-closed |
| Output | PNP |
| Rated operational current Ie | 200mA |
| Supply Voltage | 10...30V DC |
| Ripple | < 10% from UB |
| Frequency of Supply Voltage | DC |
| No-load supply current | <20mA |
| Voltage drop | <2,5V |
| Short protection | yes |
| Protected against polarity reversal | yes |
| Rated insulation voltage | 250V AC |
| Output resistance | 33kOhm |
| max. Load capacity | 1µF |



Utilization categories
 Insulation class

DC 13
 I

Datasheet number:

Definitions see general catalog.
 If not otherwise noted, ratings according to
 IEC 60947-5-2 (DIN EN60947-5-2)

Balluff GmbH
 Schurwaldstrasse 9
 73765 Neuhausen a.d.F.
 Phone (07158) 173-0 Fax (07158) 5010

Datenblatt by CD-ROM - 04/2007

BALLUFF
 sensors worldwide